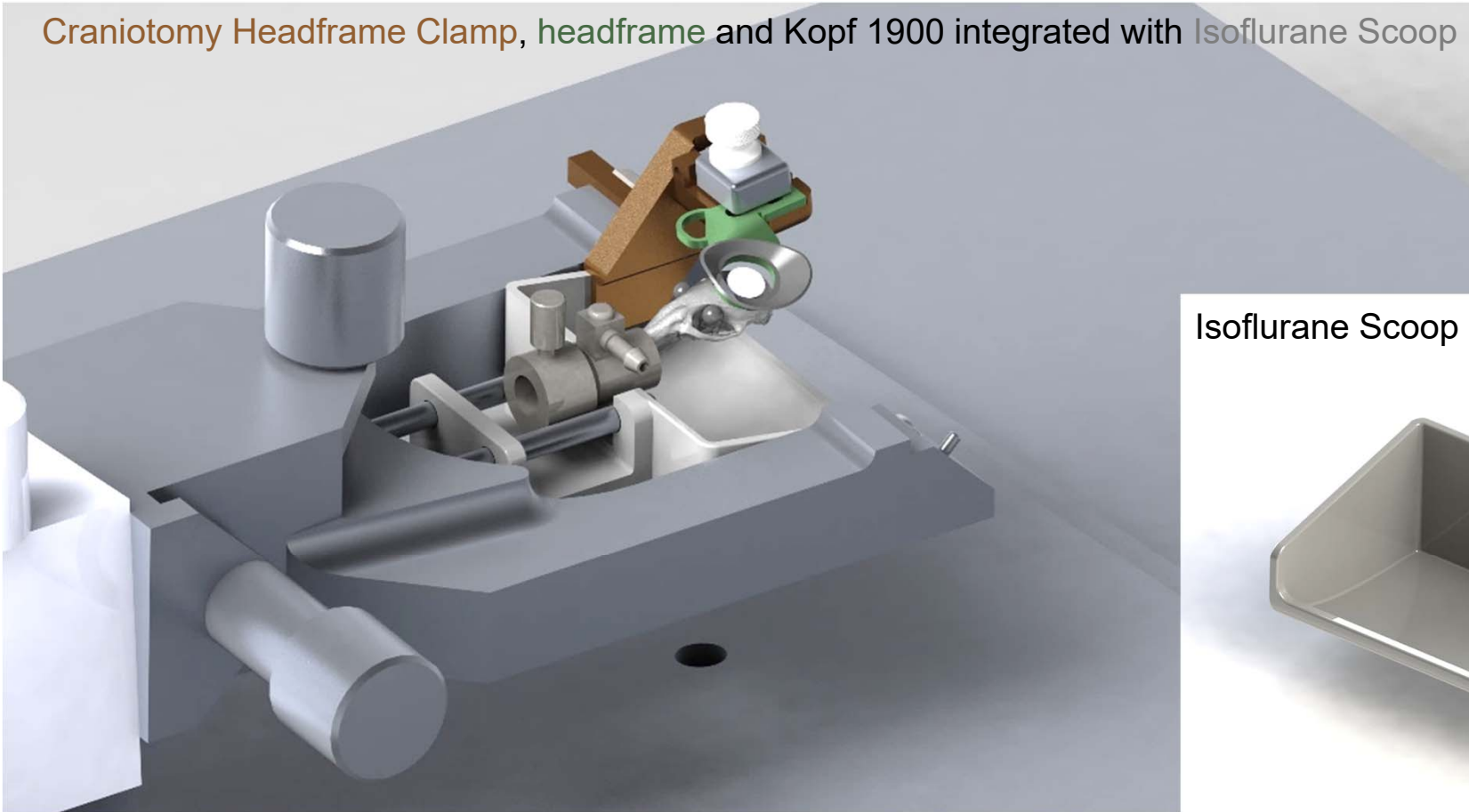


0209-110-00 Isoflurane Waste Gas Removal Scoop

Craniotomy Headframe Clamp, headframe and Kopf 1900 integrated with Isoflurane Scoop



Isoflurane Scoop

